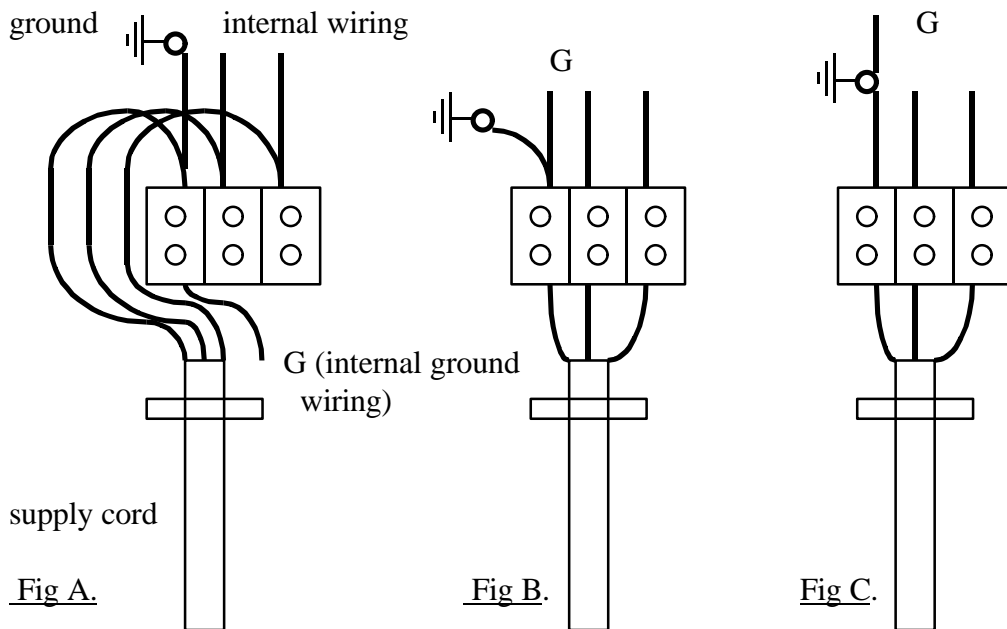


COLLECTION OF CTL DECISIONS

Standard: IEC 335-1, Ed.2.0	Sub clause: 26.1	Sheet n. 273 Page 1 (1)
Subject: Connection of internal wiring to an X type attachment terminal	Key words: - internal wiring - X type attachment	Decision n. 20 taken at 36th meeting/1999

Question: Does the following figures comply with the standard ?



type X connection

Decision:

A doesn't comply
 B and C comply

Explanatory notes:

no